

HP Vectra VE 5/xxx Series 3 PC

Models and Accessories

Product Number	Flexible Drive A:	Hard Drive C:	Video Controller	Cache	Std. RAM	Multi-media	OS
Vectra VE 5/xxx Series 3 PC							
HP Vectra VE 5/100 Series 3 PC (CPL: 09/96 ▶)							
D4051A	1.44 MB	None	SiS 6205	None	8 MB	None	None
D4052A		850 MB IDE	(Unified Memory Architecture: no dedicated video RAM)		16 MB		Yes ¹
D4053A				1 GB IDE			8 MB
D4054A		256 KB			16 MB		
D4055A				None	8 MB		
D4059A ²		User defined					
HP Vectra VE 5/120 Series 3 PC (CPL: 09/96 ▶)							
D4061A	1.44 MB	None	SiS 6205	None	8 MB	None	None
D4062A		850 MB IDE	(Unified Memory Architecture: no dedicated video RAM)		16 MB		Yes ¹
D4063A				1 GB IDE			8 MB
D4064A		256 KB			16 MB		
D4065A				None	8 MB		
D4069A ²		User defined					
HP Vectra VE 5/133 Series 3 PC (CPL: 09/96 ▶)							
D4071A	1.44 MB	None	SiS 6205	None	8 MB	None	None
D4072A		850 MB IDE	(Unified Memory Architecture: no dedicated video RAM)		16 MB		Yes ¹
D4073A				1 GB IDE			8 MB
D4074A		256 KB			16 MB		
D4075A ³				None	8 MB		
D4079A ²		User defined					

1. Dual loading Windows for Workgroups 3.11 or Windows 95.
2. EBTO program (see the Introduction of this edition of the Service Handbook)
3. The D4075G has the same specification, but is a demonstration unit for HP use only.

Medium-Profile
Desktop Vectras



HP Vectra VE 5/xxx Series 3 PC 14-1

HP Vectra VE 5/xxx Series 3 PC

Supported Accessories

8-MB kit (2 × 4-MB) 32-bit EDO, 60 ns main memory modules	D3646B
16-MB kit (2 × 8-MB) 32-bit EDO, 60 ns main memory modules	D3647B
32-MB kit (2 × 16-MB) 32-bit EDO, 60 ns main memory modules	D3648B
64-MB kit (2 × 32-MB) 32-bit EDO, 60 ns main memory modules	D4543A
20 × 4-MB, 32-bit EDO, 60 ns main memory modules	D2878A
20 × 8-MB, 32-bit EDO, 60 ns main memory modules	D2879A
20 × 16-MB, 32-bit EDO, 60 ns main memory modules	D3649A
256 KB synchronous pipeline burst cache memory modules (recommended)	D3659A
256 KB asynchronous pipeline burst cache memory modules	D4049A

Documentation

HP Vectra VE 5/xxx Series 3 <i>User's Guide</i> Manual Kit	D4050A
--	--------

Input Devices

HP mouse	C3751B
HP keyboard for Windows® 95	C4725A
HP keyboard for OS/2 (recommended)	C3757B

Video Displays

All current HP Displays (see the *HP Vectra Accessory Service Handbook*)

Mass Storage

640-MB IDE hard disk	D2929A
1.2-GB IDE hard disk	D2930A
1.2-GB IDE hard disk (introduction planned 01-Oct-1996)	D2785A
2.5-GB IDE hard disk (introduction planned 01-Oct-1996)	D2786A
Flexible disk 3.5-inch 1.44-MB (1-inch high)	D2035B
IDE 8× CD-ROM drive	D4381A
IDE CD-ROM data cable	D4099A
3.5-inch side mounting rails (packs of 5 pairs)	D3566A
5.25-inch side mounting rails (packs of 5 pairs)	D2880A

Multimedia

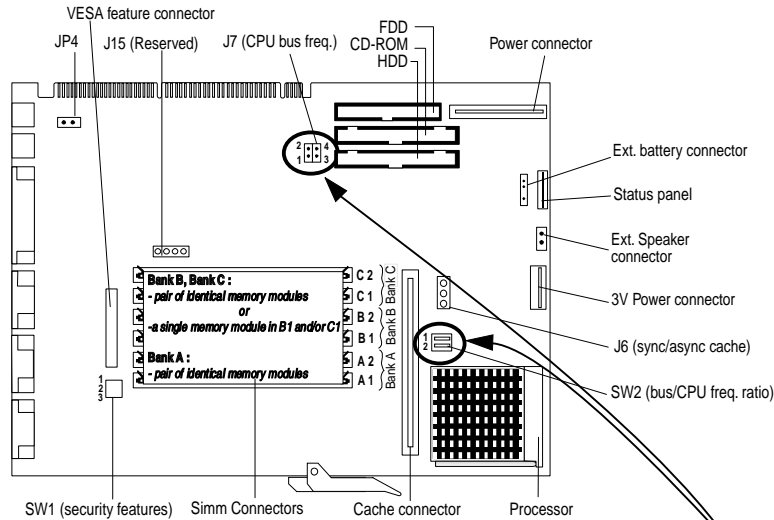
PnP Sound controller board + 8× CD-ROM drive	D4179A
--	--------

BIOS History

The latest BIOS, the flasher utility program, and the BIOS history can each be obtained from HP Electronic Services. BIOS revisions are of the form GX.07.xx.



System Board



14

SW1	Sw1-1 : bios flash	OFF = enable ON = disable
	Sw1-2 : CMOS	OFF = normal ON = clear
	Sw1-3 : password	OFF = normal ON = clear
JP4	Keyboard Power-On	jumper-on = enable no jumper = disable
J6	Cache Memory Type	1-2 = asynchronous 2-3 = synchronous
J15	Serial EEprom flag	jumper-on (1-2) = normal no jumper = clear (reserved HP)

Default config is **bold**

Processor frequency (MHz)	J7 (local bus frequency)	SW2 (ratio bus/CPU frequency)	
		SW2-1	SW2-2
75	short pins 2-4	OFF	OFF
90	short pins 1-3	OFF	OFF
100	short pins 3-4	OFF	OFF
120	short pins 1-3	ON	OFF
133	short pins 3-4	ON	OFF
150	short pins 1-3	ON	ON
166	short pins 3-4	ON	ON

Main Memory

A **pair of identical modules** must always be installed in **bank A** (two memory modules of the same size and type).

In banks B and C, it is alternatively permissible to install a **single module** (in B1 or C1, with the other socket of the bank, B2 or C2, unfilled) or a **pair of identical modules**.

Main memory can be installed up to a maximum of 192 MB. The banks must be **filled in order**: Bank A, Bank B, Bank C. When Bank C is used, the lowermost ISA slot **becomes blocked**, and cannot be used.

Video memory is allocated as part of the main memory, using the HP Dynamic Video utility under Windows 95, or HP BIOS *Setup* for other operating systems.

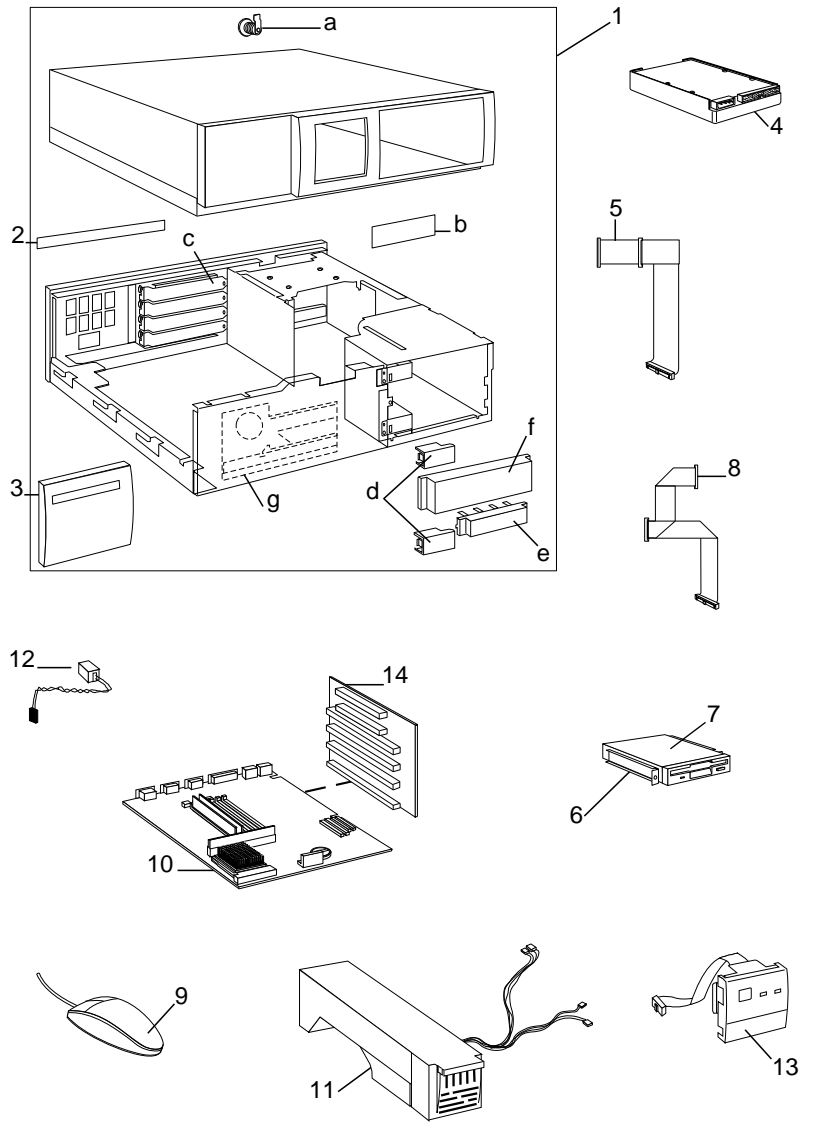
Medium-Profile
Desktop Vectras



HP Vectra VE 5/xxx Series 3 PC

Part Numbers

14



HP Vectra VE 5/xxx Series 3 PC

Parts List for HP Vectra VE 5/xxx Series 3 PC

Item	Description	Repl. Part Number	Exchange Part Number
1	Box assembly:	5064-0215	—
	a Cover lock assembly	5062-5590	
	b Serial number label	5182-0030	
	c I/O panel blank	45935-00004	
	d Filler panel 1.75 inch	5042-1155	
	e Filler panel 3.5 inch	5063-7067	
	f Filler panel 5.25 inch	5063-7066	
	g System board guide	5042-0507	
2	Rear bezel connector label	5042-1177	—
3	Left VE logo bezel	5042-1485	—
4	IDE hard disk drive (standard) ¹		
	850 MB	D2749-63001	D2749-69001
	1 GB	D2787-63001	D2787-69001
5	IDE hard disk cable	5182-1862	—
6	Rail kit		
	1 × 3.5 inch plus 1 × 5.25 inch	5063-7922	—
	1 × 3.5 inch	5063-0309	—
7	Flexible disk drive	D2035-63121	—
8	Flexible disk drive cable	5182-1037	—
9	Mouse	C3751-60201	—
10	System board	See PC's system board parts list	
11	Power supply ²	5063-9066	—
12	4.5V external battery (not bundled)	1420-0513	—
13	Status (control) panel	5063-7956	—
14	Backplane board	5063-9086	—

1. For optional disk drive information, see the *Accessory Service Handbook*.
2. If the power supply or fan appear to be not working, make sure first that it is not because they have gone into self-protection mode. Unplug the power cord from the mains supply for 60 seconds, and then plug it back in and attempt to restart the PC.

14



HP Vectra VE 5/xxx Series 3 PC

System Board Parts List for HP Vectra VE 5/xxx Series 3 PC

Description	Repl. Part Number	Exchange Part Number
System board: Vectra VE 5/xxx Series 3	D4051-63001	D4051-69001
Processors: Intel Pentium P54C 100 MHz (VCC)	5063-7059	—
Intel Pentium P54C 120 MHz (VCC)	5063-8765	—
Intel Pentium P54CS 133 MHz (VCC)	5063-7974	—
Heatsink and clip	1205-0832	—
Cache memory modules (pipeline burst) 256 KB synchronous cache memory	5063-7942	—
Main memory modules: 1 × 4-MB main memory 60-ns EDO RAM	5063-7941	—
1 × 8-MB main memory 60-ns EDO RAM	5063-7944	—
1 × 16-MB main memory 60-ns EDO RAM	5063-7945	—
1 × 32-MB main memory 60-ns EDO RAM	1818-6431	—
Batteries: 3 V system board battery (type CR2032)	1420-0356	—

Software for HP Vectra VE 5/xxx Series 3 PC

DOS and Windows 3.x drivers: disk kit also available from HP BBS or WWW	5063-9036	—
--	-----------	---

Manuals and Documentation for HP Vectra VE 5/xxx Series 3 PC

<i>User's Guide</i> (Setting up the PC and Troubleshooting)	D4050-90001
<i>HP Help</i> (Using the PC and Technical information)	online ¹
<i>Familiarization Guide</i>	D4050-90901
<i>Technical Reference Manual: hardware and BIOS</i>	D4050-90911 ¹

1. Electronic file only.

